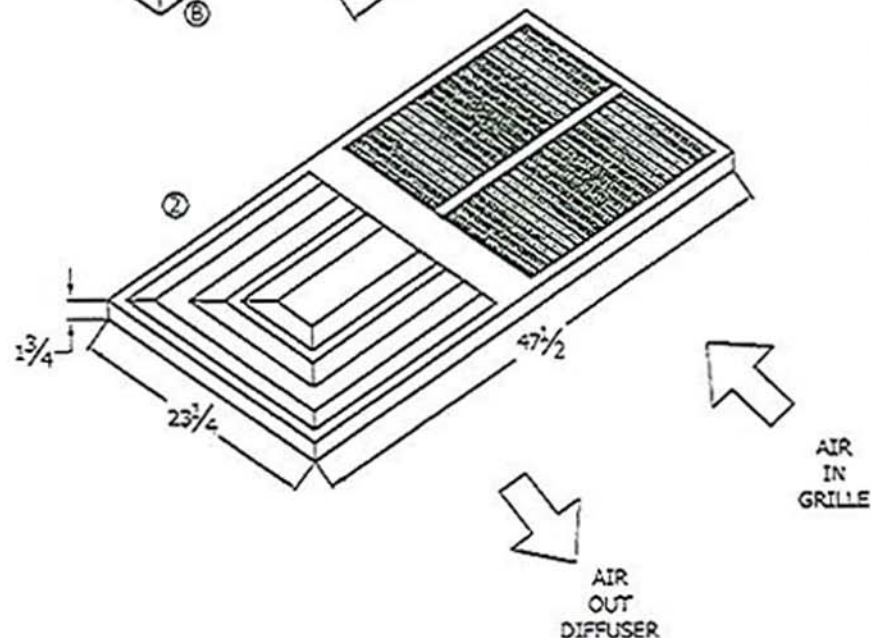
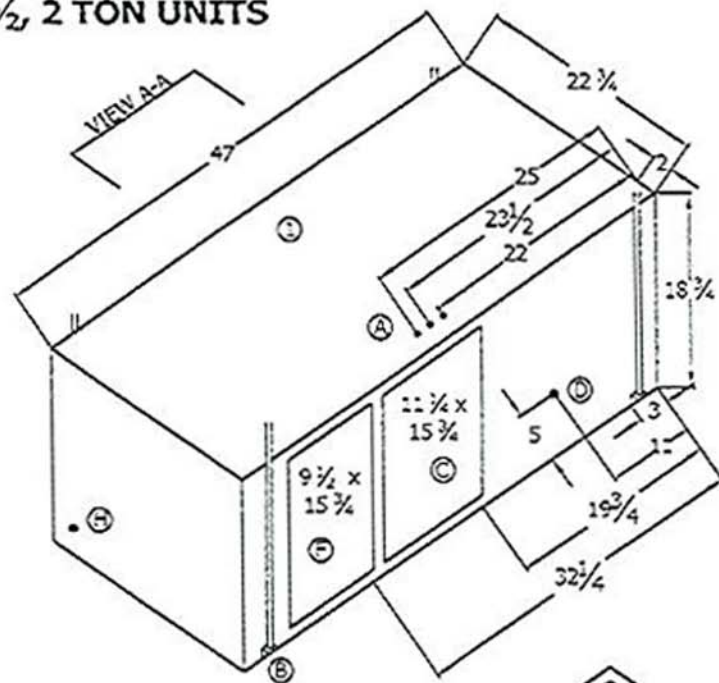
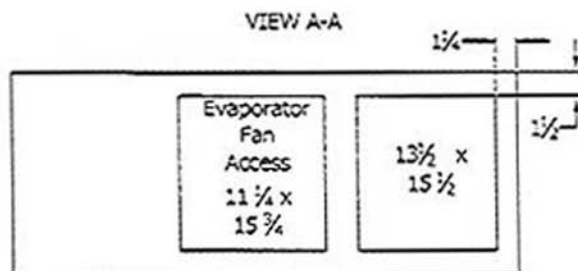


DX 1, 1 1/2, 2 TON UNITS



- A. Electrical power connections
- B. Vibration isolators & hangers
- C. Control Access Panel (Both Sides)
- D. 3/4" FPT drain connection (Both Sides)
- E. Liquid Line Connection (3/8")
- F. Suction Line Connection (1 Ton = 5/8, 1.5 & 2 Ton = 3/4)

- 1. Evaporator coil / Blower section
- 2. Return / Supply grille (gloss white)