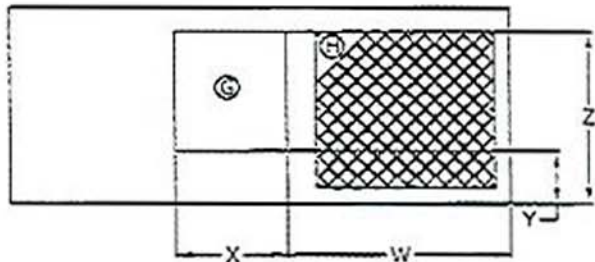
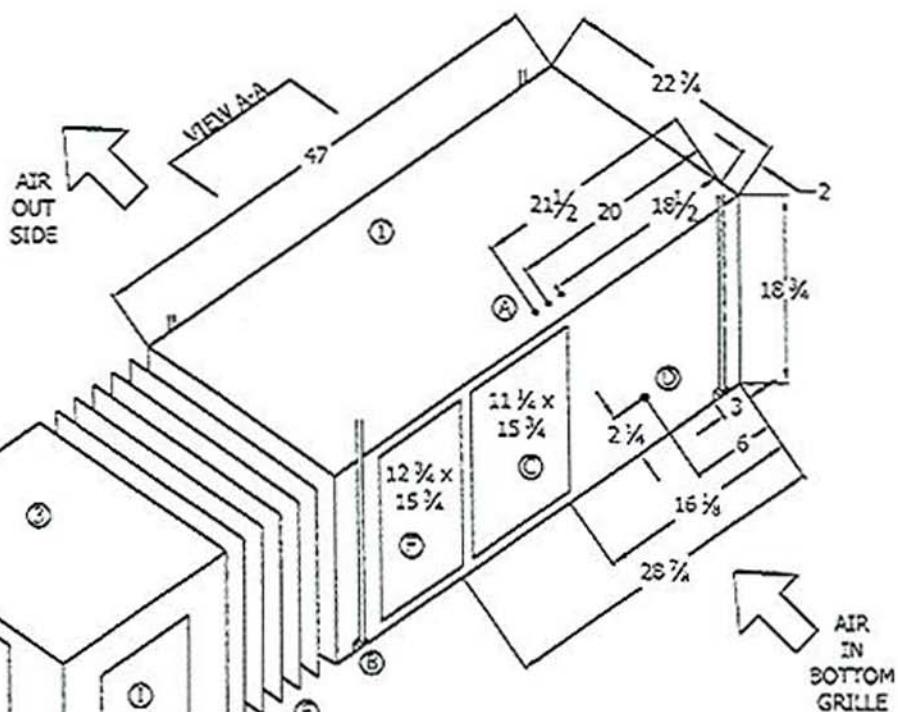


VIEW A-A



## SDAC 1, 1 1/2, 2 TON UNITS

Tonnage	W	X	Y	Z
1	25.5	8.25	4	14.25
1.5	21	10.25	5.25	16.5
2	30.5	11.25	4.5	17.5



- A. Electrical power connections
- B. Vibration isolators & hangers
- C. Control access panel
- D. 3/4" FPT drain connection (Both Sides)
- E. Flexible connection (Field supplied)
- F. Compressor access
- G. Supply fan opening
- H. Condenser inlet air open access with removable grille
- I. Blower / fan motor access (Both Sides)

- 1. Evaporator coil / Blower section
- 2. Return grille (gloss white)
- 3. Condenser air discharge

